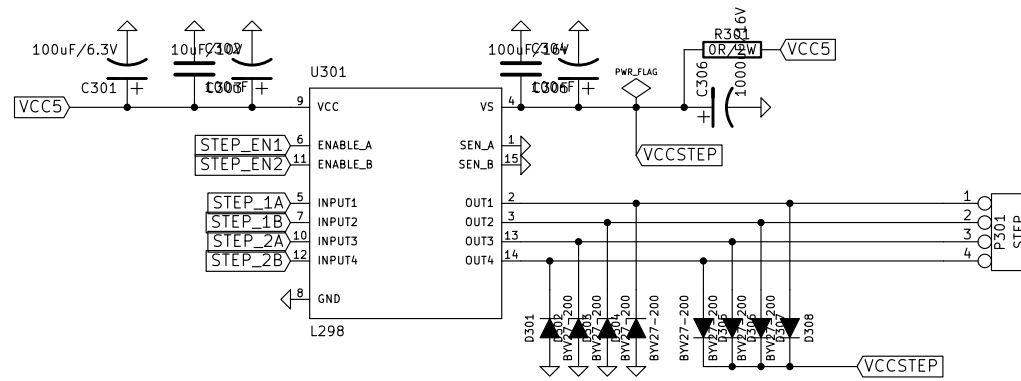
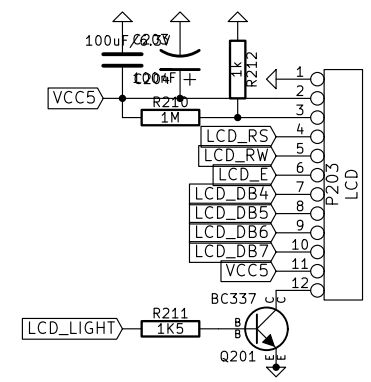
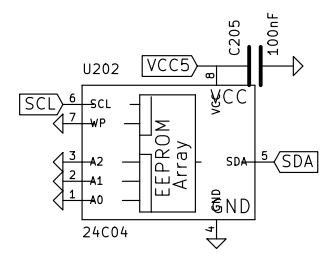
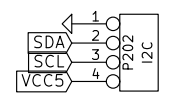
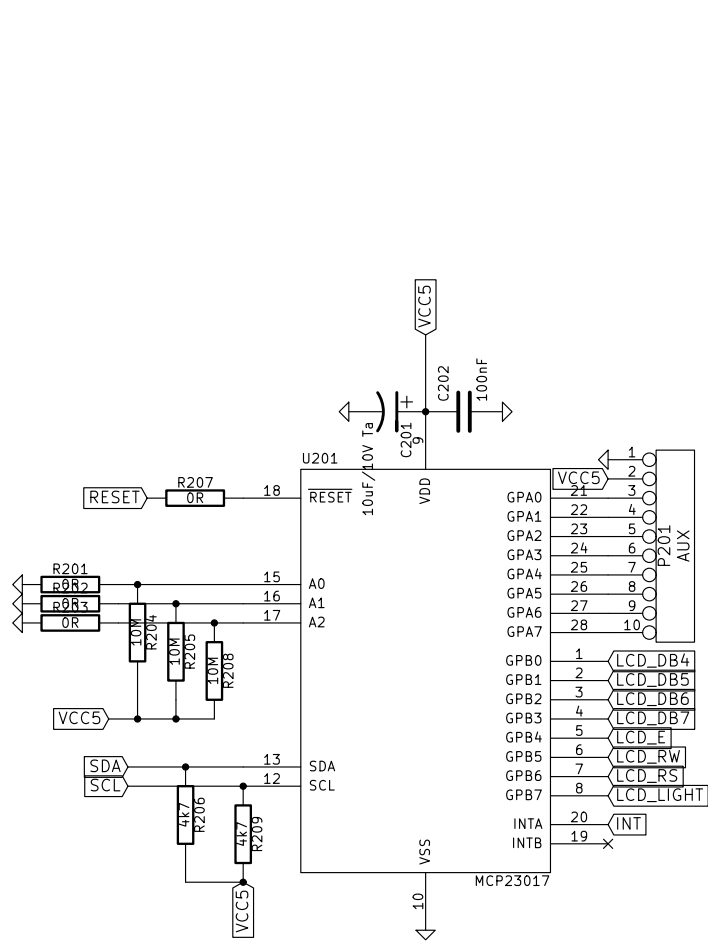


File: zamek.sch		Sheet: /	
Title:			
Size: A4	Date: 1 apr 2014		Rev:
KiCad E.D.A.			Id: 1/3



File: zamek_step.sch		
Sheet: /zamek_step/		
Title:		
Size: A4	Date: 1 apr 2014	Rev:
KiCad E.D.A.		Id: 3/3



File: zamek_expander.sch		
Sheet: /zamek_expander/		
Title:		
Size: A4	Date: 1 apr 2014	Rev:
KiCad E.D.A.		Id: 2/3