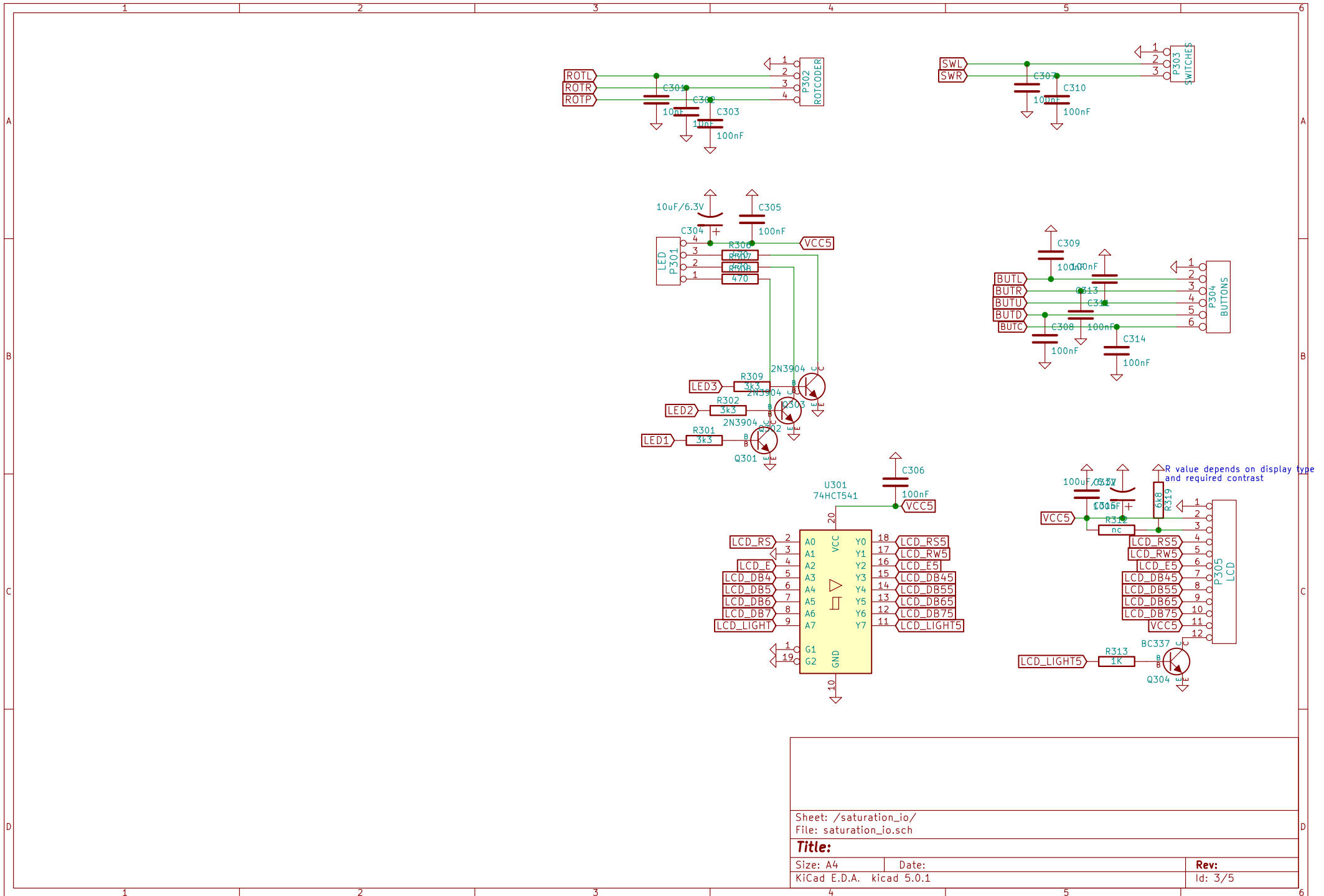


Sheet: /saturation\_ps/  
 File: saturation\_ps.sch

**Title:**

Size: A4      Date: 4 feb 2015  
 KiCad E.D.A. kicad 5.0.1

**Rev: 1.2**  
 Id: 2/5

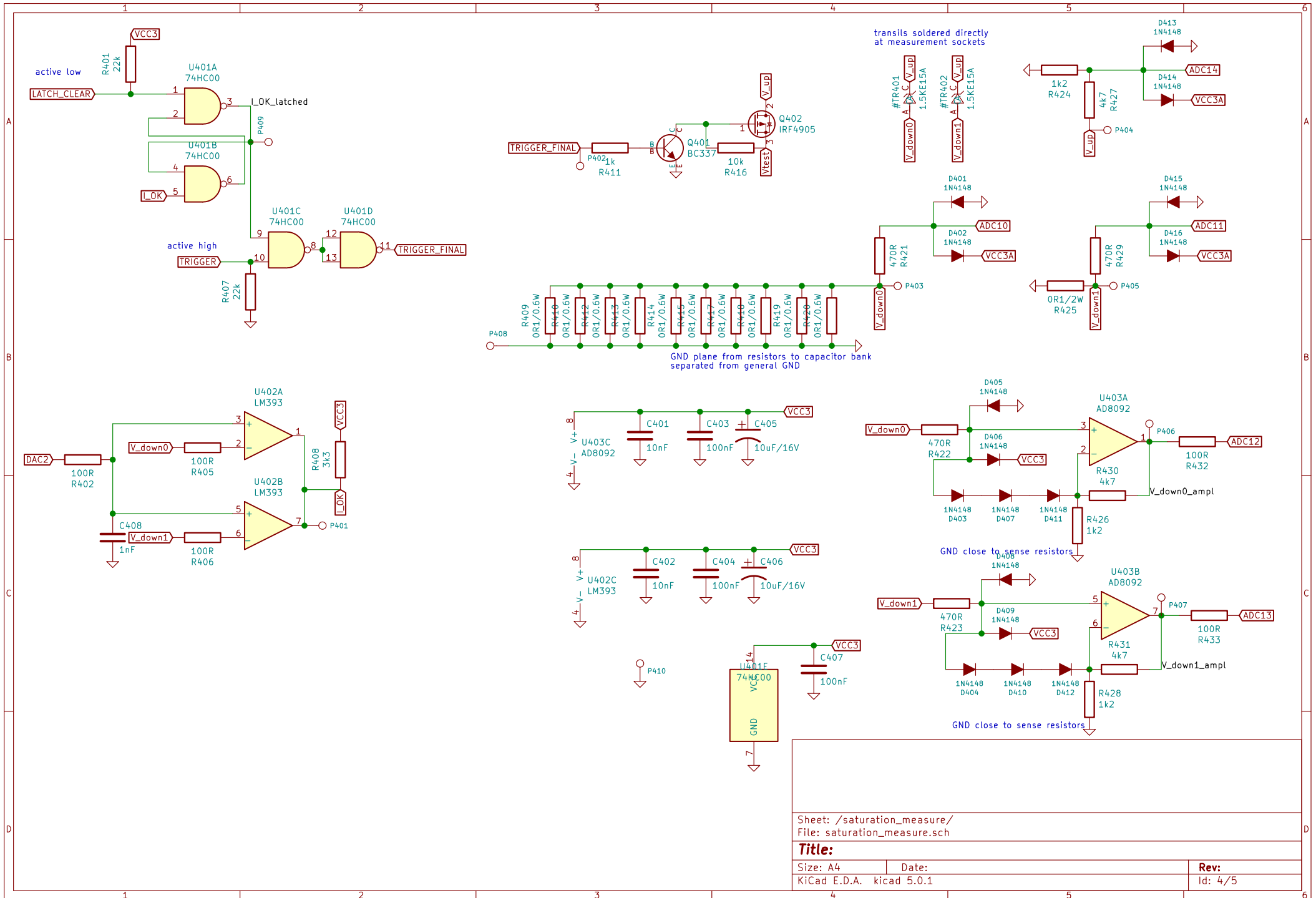


Sheet: /saturation\_io/  
 File: saturation\_io.sch

**Title:**

Size: A4      Date:  
 KiCad E.D.A. kicad 5.0.1

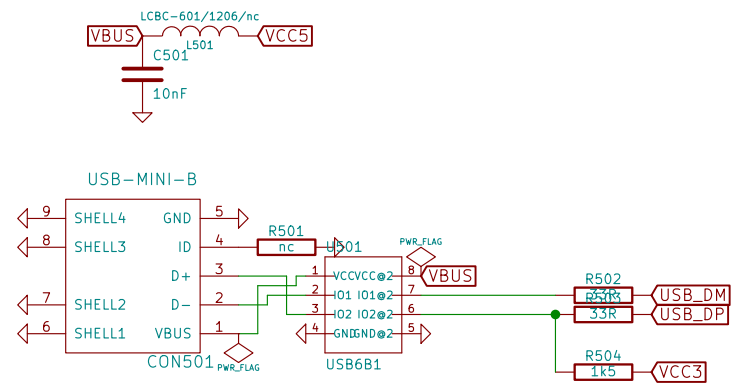
**Rev:**  
 Id: 3/5



Sheet: /saturation\_measure/  
 File: saturation\_measure.sch

**Title:**

Size: A4	Date:	<b>Rev:</b>
KiCad E.D.A. kicad 5.0.1		Id: 4/5



This resistor is an indicator of full speed device and must be present, otherwise host will not detect the device and start enumeration

Sheet: /saturation_usb/ File: saturation_usb.sch		
<b>Title:</b>		
Size: A4	Date: 6 dec 2018	<b>Rev:</b>
KiCad E.D.A. kicad 5.0.1		Id: 5/5