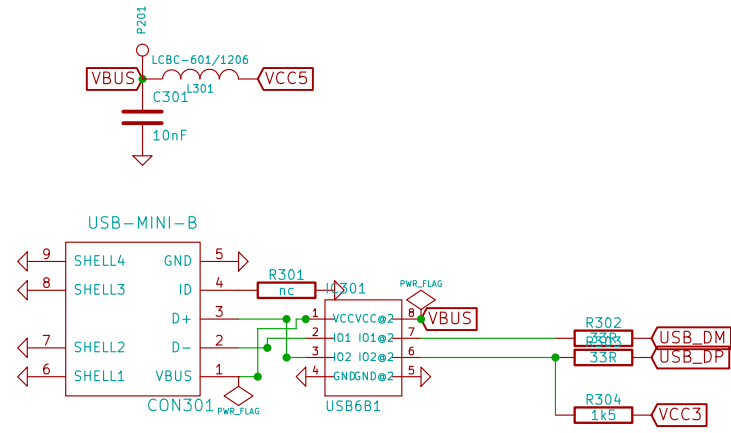


File: usb_lpc_rfm.sch	
Sheet: /	
Title:	
Size: A4	Date: 24 may 2018
KiCad E.D.A.	Rev: Id: 1/2



File: USB.sch			
Sheet: /USB/			
Title:			
Size: A4	Date: 24 may 2018	Rev:	
KiCad E.D.A.		Id: 2/2	