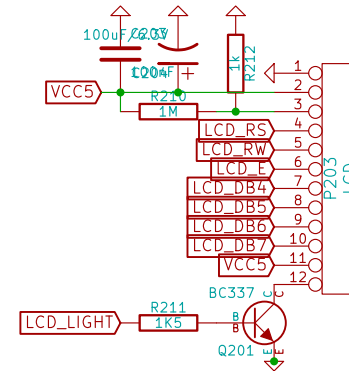
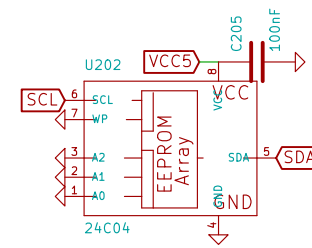
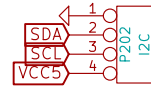
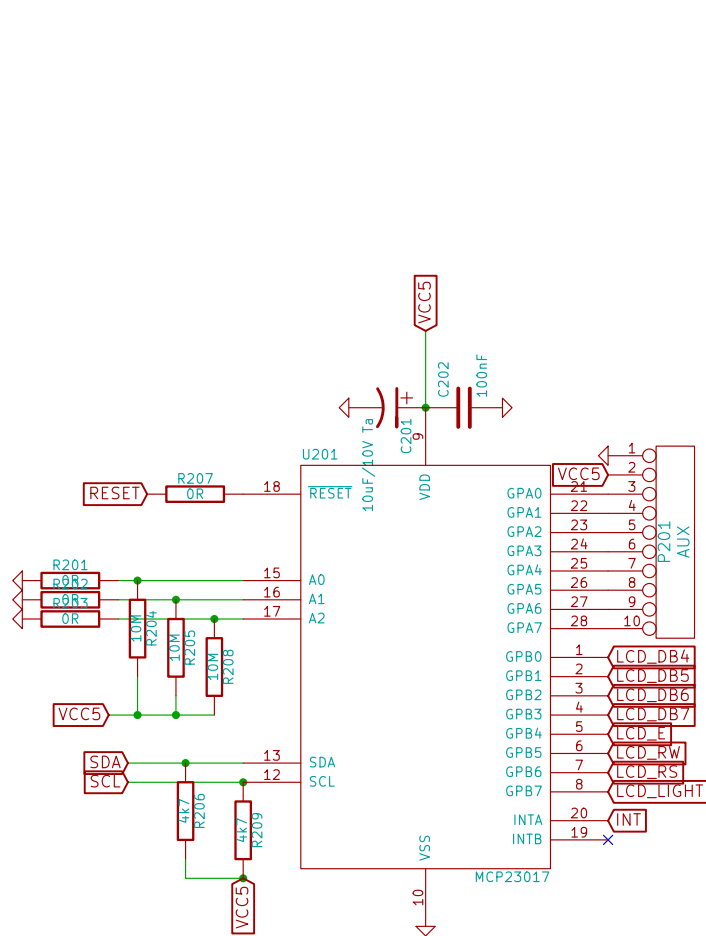
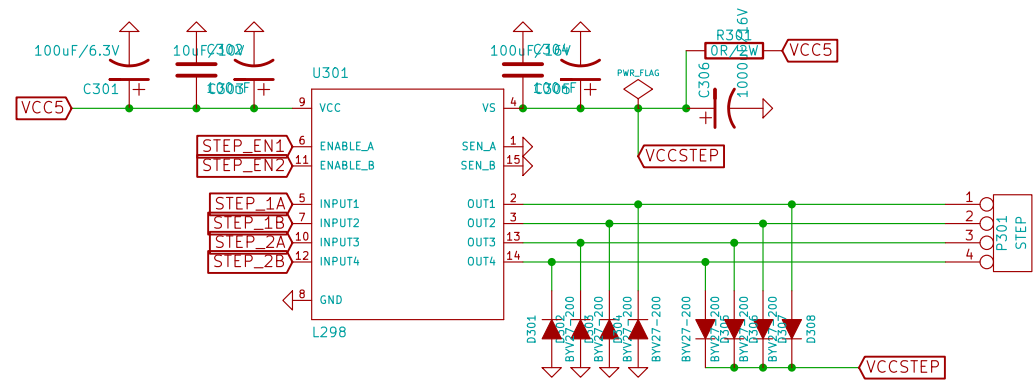
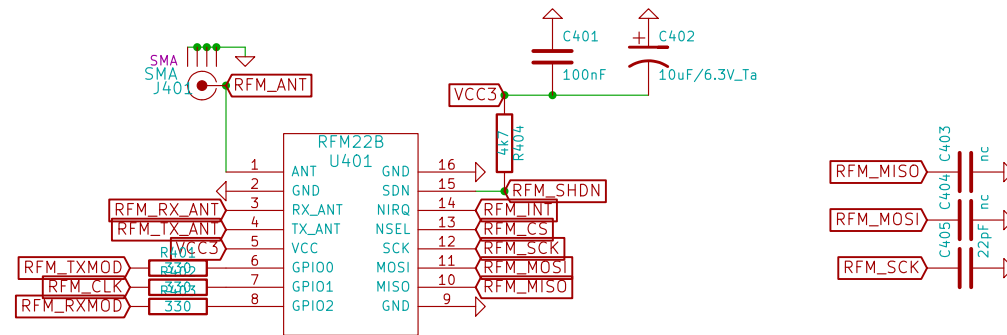


File: zamek.sch		Sheet: /	
Title:			
Size: A4	Date: 18 jan 2021	Rev:	
KiCad E.D.A.		Id: 1/6	



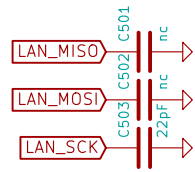
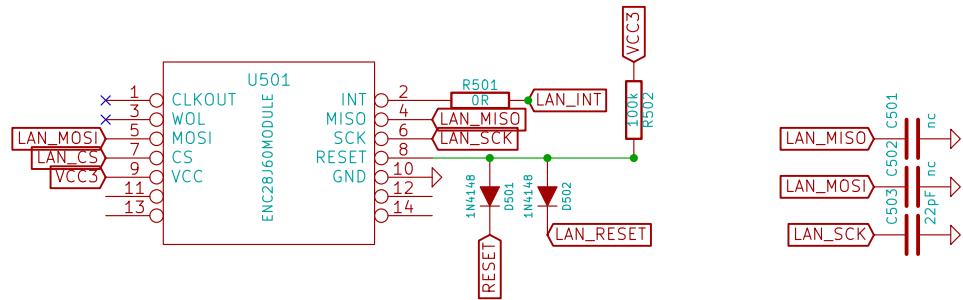


File: zamek_step.sch	
Sheet: /zamek_step/	
Title:	
Size: A4	Date: 18 jan 2021
KiCad E.D.A.	Rev: Id: 3/6

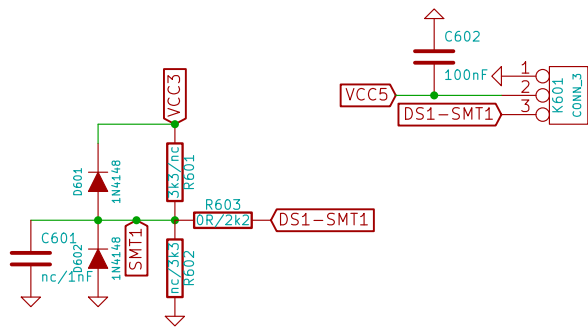


GPIO0 might be used as RSSI output in receive mode
 PI01,2 then has to be configured as input

File: rfm22.sch			
Sheet: /rfm22/			
Title:			
Size: A4	Date: 18 jan 2021	Rev:	
KiCad E.D.A.		Id: 4/6	



File: lan.sch	
Sheet: /LAN/	
Title:	
Size: A4	Date: 18 jan 2021
KiCad E.D.A.	Rev: Id: 5/6



File: smt.sch	
Sheet: /SMT/	
Title:	
Size: A4	Date: 18 jan 2021
KiCad E.D.A.	Rev: Id: 6/6