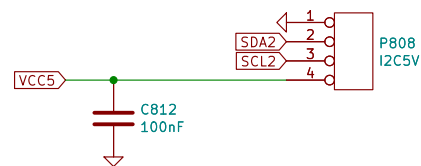
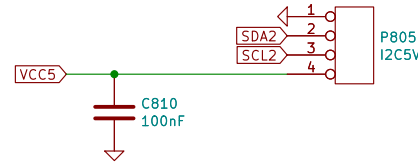
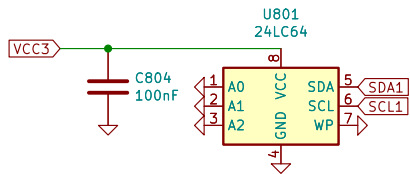
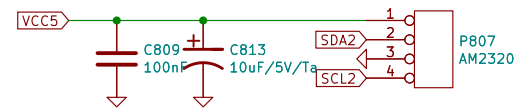
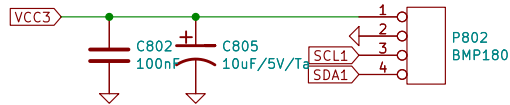
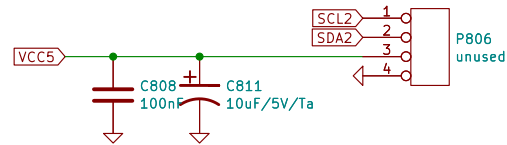
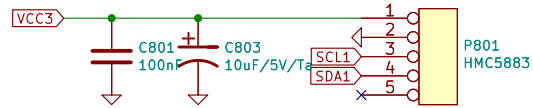


Sheet: /		File: caninterface.kicad_sch	
Title: CAN interface and logger (c) Jiri@Pittnerovi.com			
Size: A4	Date: 2022	Rev: 1.0	
KiCad E.D.A.	kicad 6.0.9	Id: 1/11	

do not occupy pullups if they are already present on a connected module



do not occupy pullups if they are already present on a connected module



BMI088 module has too slow level shifter and had to be stripped back to 3V3 operation

Sheet: /caninterface_I2C/
File: caninterface_I2C.kicad_sch

Title:

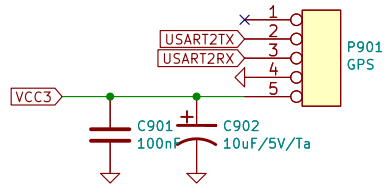
Size: A4

Date:

Rev:

KiCad E.D.A. kicad 6.0.9

Id: 2/11



Sheet: /caninterface_GPS/
File: caninterface_GPS.kicad_sch

Title:

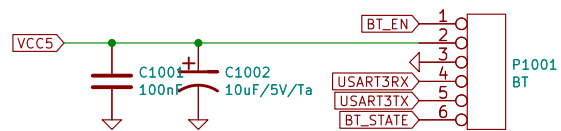
Size: A4

Date:

KiCad E.D.A. kicad 6.0.9

Rev:

Id: 3/11



Sheet: /caninterface_BT/
File: caninterface_BT.kicad_sch

Title:

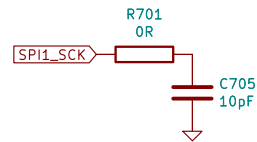
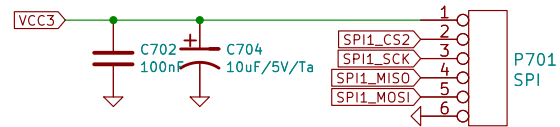
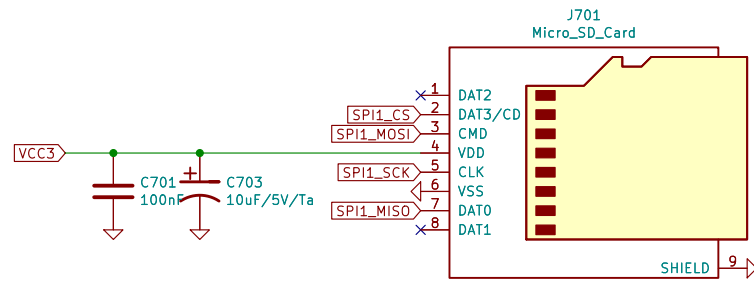
Size: A4

Date:

KiCad E.D.A. kicad 6.0.9

Rev:

Id: 4/11



Sheet: /caninterface_SPI/
File: caninterface_SPI.kicad_sch

Title:

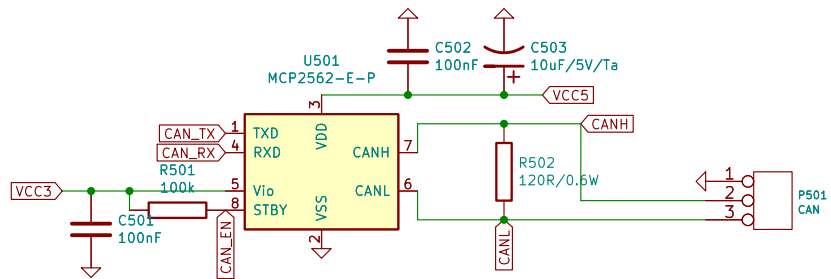
Size: A4

Date:

KiCad E.D.A. kicad 6.0.9

Rev:

Id: 5/11



Sheet: /caninterface_CAN/
 File: caninterface_CAN.kicad_sch

Title:

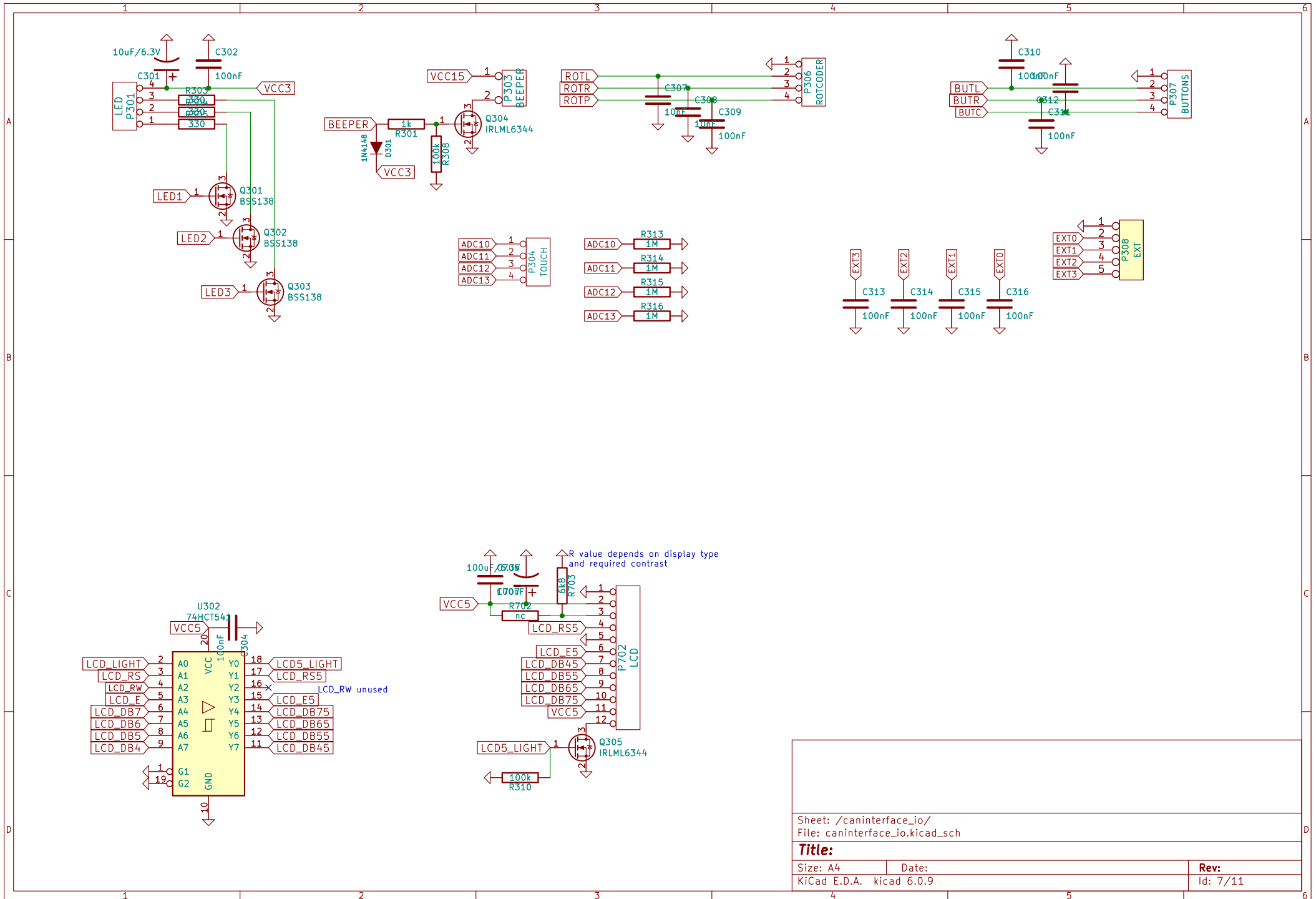
Size: A4

Date:

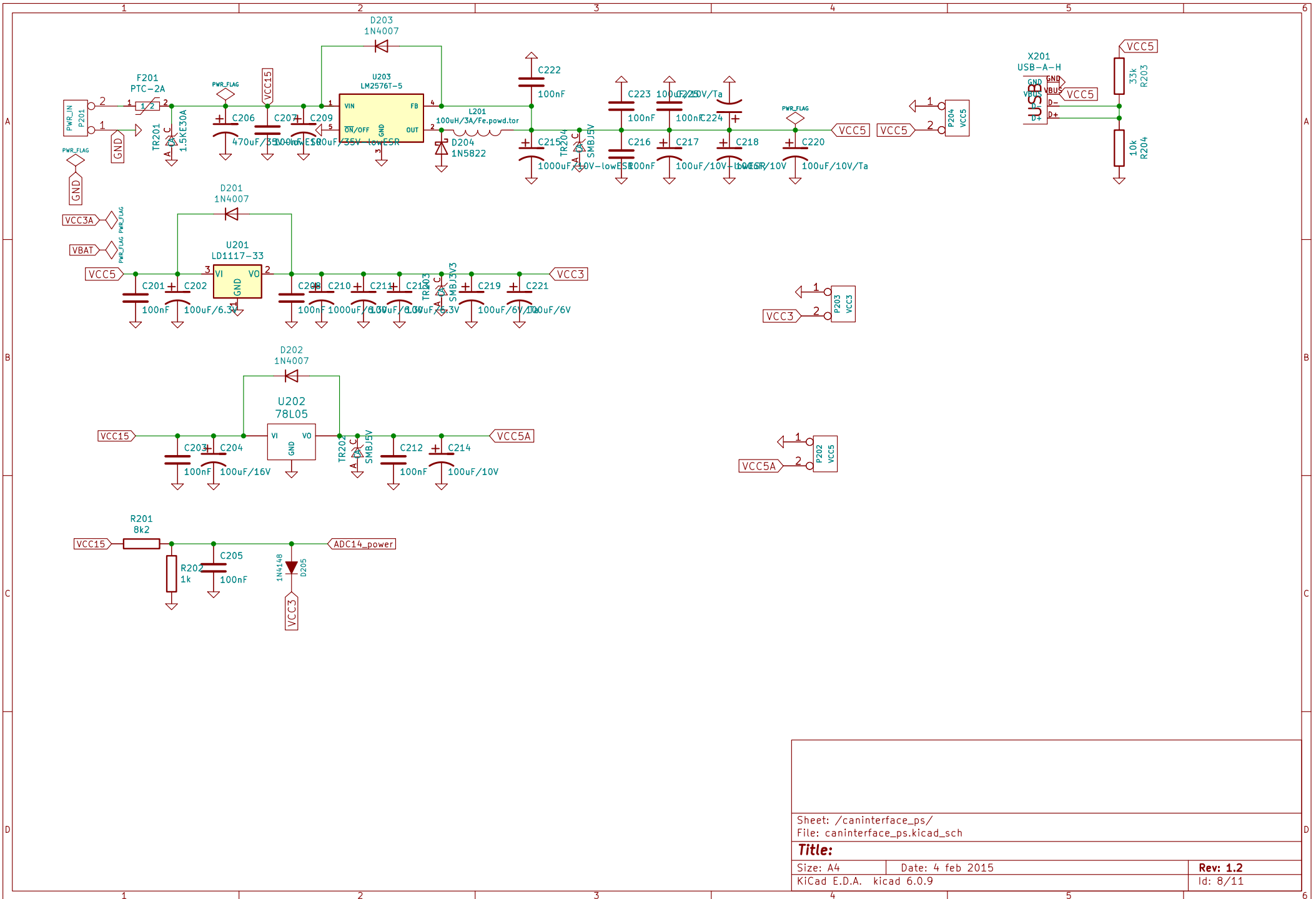
Rev:

KiCad E.D.A. kicad 6.0.9

Id: 6/11



Sheet: /caninterface_io/		File: caninterface_io.kicad_sch	
Title:			
Size: A4	Date:	Rev:	
KiCad E.D.A. kicad 6.0.9		Id: 7/11	

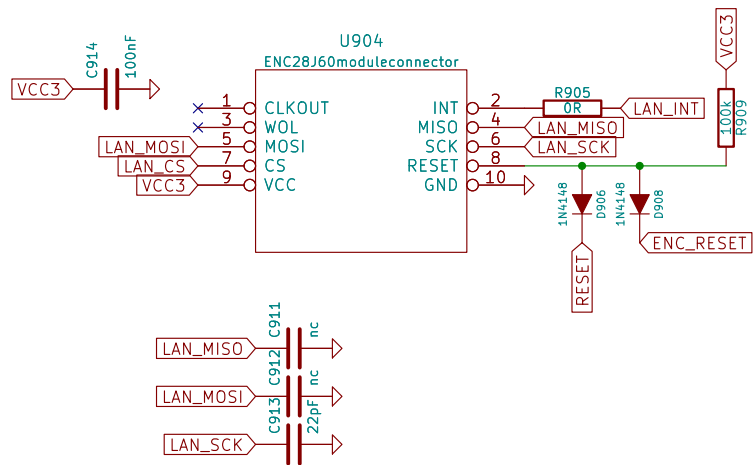


Sheet: /caninterface_ps/
 File: caninterface_ps.kicad_sch

Title:

Size: A4 Date: 4 feb 2015
 KiCad E.D.A. kicad 6.0.9

Rev: 1.2
 Id: 8/11



Sheet: /caninterface_ethernet/
 File: caninterface_ethernet.kicad_sch

Title:

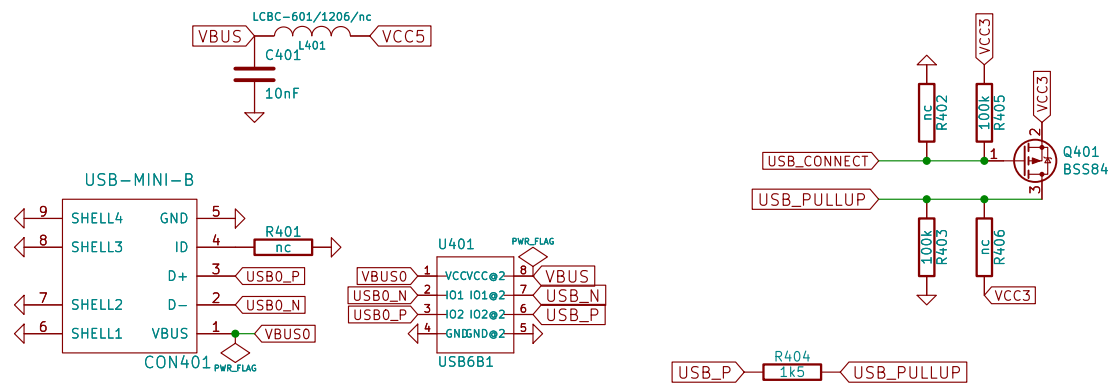
Size: A4

Date:

Rev:

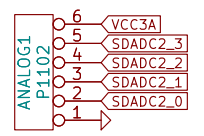
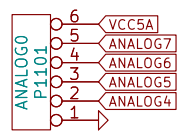
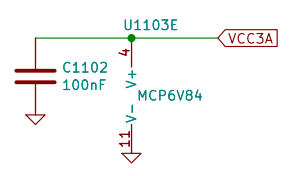
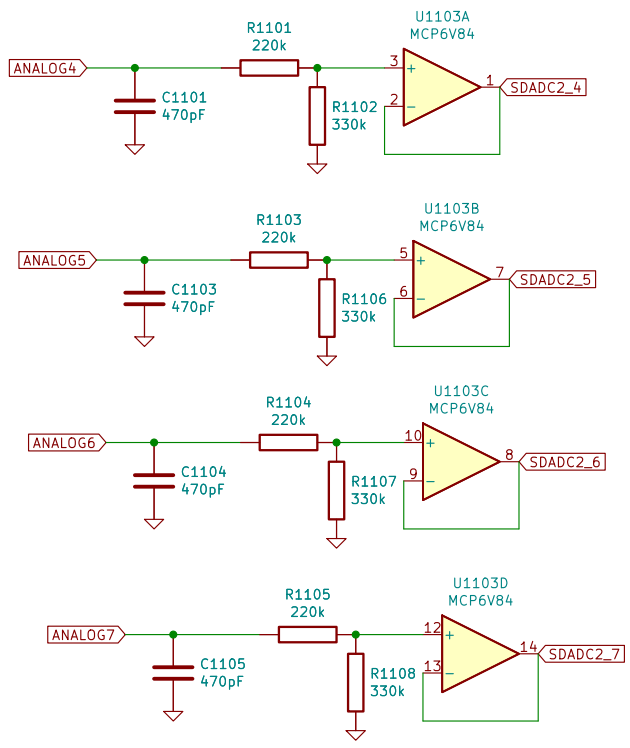
KiCad E.D.A. kicad 6.0.9

Id: 9/11



Pullup resistor has to be present, otherwise the device will not be recognized by USB host and enumeration will not be started. pullup at DM indicates low speed, at DP full speed. Optionally the pullup can be software-switchable, to force new enumeration of USB while the firmware is running

Sheet: /caninterface_usb/	
File: caninterface_usb.kicad_sch	
Title:	
Size: A4	Date: 6 dec 2018
KiCad E.D.A. kicad 6.0.9	Rev: Id: 10/11



Sheet: /caninterface_analog/	
File: caninterface_analog.kicad_sch	
Title:	
Size: A4	Date:
KiCad E.D.A. kicad 6.0.9	Rev: 11/11