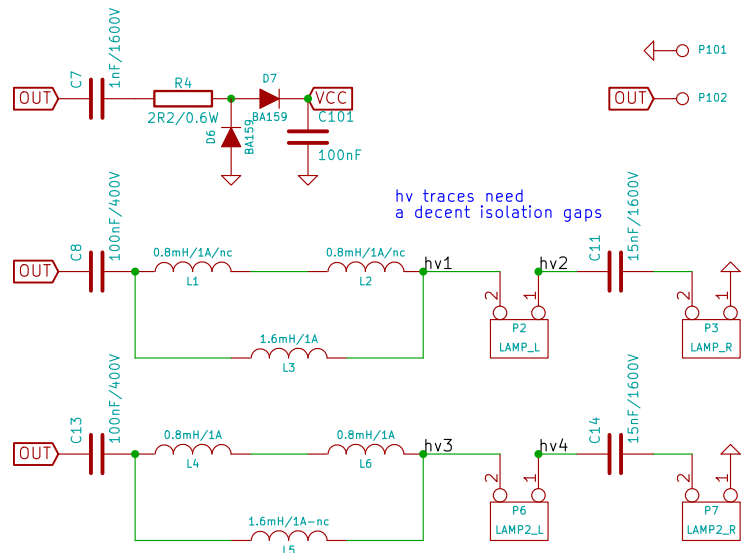


approx 32.5kHz
= resonance of L3+C11



hv traces need
a decent isolation gaps

ferite inductors with air gap,
inductance L measured at 0 DC bias,
at least 0.8L at 1A DC bias

| | | | |
|--|-------------------|----------|--|
| File: ballast.sch | | Sheet: / | |
| Title: Simple electronic ballast for 58W luminiscent lamp v1.2 | | | |
| Size: A4 | Date: 21 nov 2018 | Rev: | |
| KiCad E.D.A. | | Id: 1/1 | |